

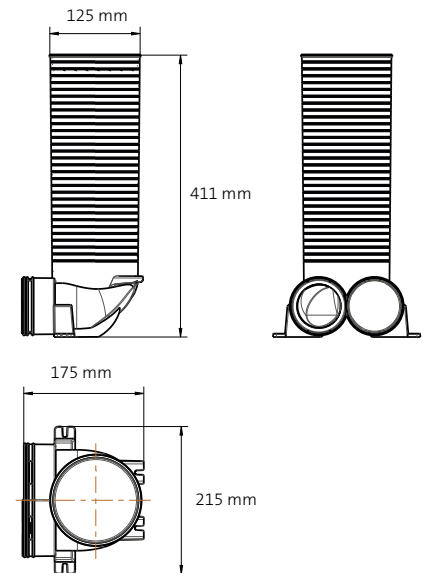
### Features & benefits

- For air supply and air extract
- For installation in ceilings and walls
- For circular AE34C ductwork (DN75/63 mm)
- Easy to shorten to the desired application dimension
- Anti-static and anti-bacterial properties
- Part of the TÜV SÜD certified Air Excellent system



### AE34C 90° valve adapter

The valve adapter is developed for installations in ceilings and walls. It is manufactured in a way that it can cross most common heights and thicknesses such as walls, screed floors or the space behind suspended ceilings. The adapter can be cut to length with normal tools for further assembling with the end-piece of the ventilation system; the supply valve or extract valve. The adapter has two Air Excellent ductwork connections. The valve adapter is delivered with a dust-cap at the 125 mm end. From the two Air Excellent ductwork connections, one is delivered with a detachable closing cap.



	Air Supply		Air Extract	
	Zeta [-]			
Zeta [-]	1.15	0.77	0.97	1.34
Duct runs	1	2	1	2
Qv [m³/h]	ΔP [Pa]	ΔP [Pa]	ΔP [Pa]	ΔP [Pa]
10	1.0	1.0	1.0	1.0
20	2.1	1.0	2.0	1.0
30	4.7	1.0	4.1	1.6
40	8.4	1.5	7.1	2.6
50	12.4	2.4	10.8	4.0
60	18.6	3.4	15.4	5.6

