

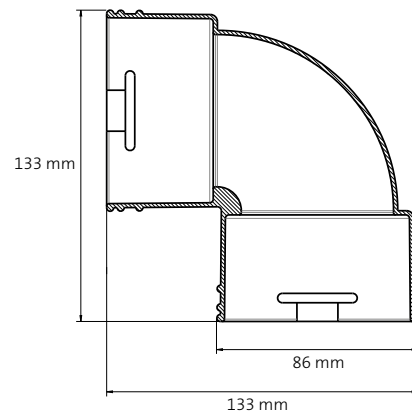
### Features & benefits

- Enabling sharp, vertical or horizontal turns
- For installation into walls, floors and ceilings
- For circular AE34C ductwork (DN75/63 mm)
- Anti-static and anti-bacterial properties
- Part of the TÜV SÜD certified Air Excellent system



### The 90° bend

The 90° bend is developed to make sharp turns to get around obstacles with a minimum of air resistance. The AE34C duct is developed to lay out with a certain inclination but there will come circumstances where sharp 90° bends are required.



AE34C 90° bend	
Zeta [-]	1.00
Qv [m³/h]	ΔP [Pa]
10	1.0
20	2.0
30	4.0
40	6.8
50	10.3
60	14.4

